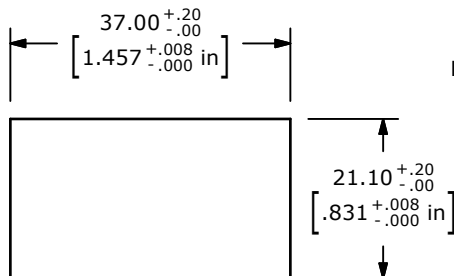
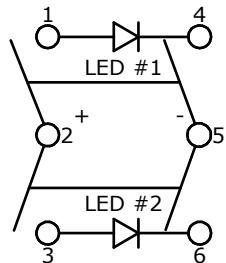
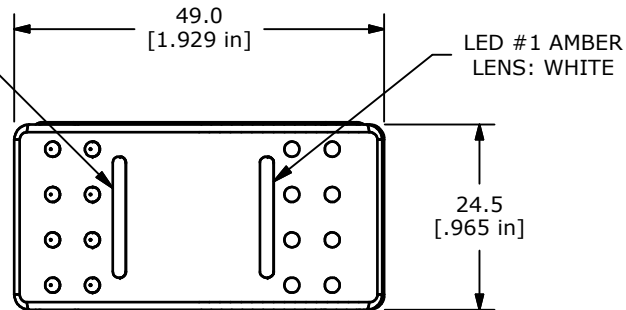


▲ SWITCH FUNCTION		
POS. 1	POS. 2	POS. 3
ON	OFF	ON
1-2; 4-5	OFF	2-3; 5-6



RECOMMENDED
PANEL CUT-OUT

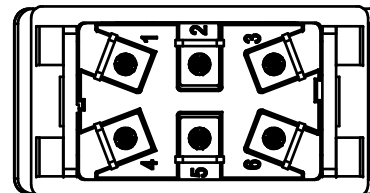
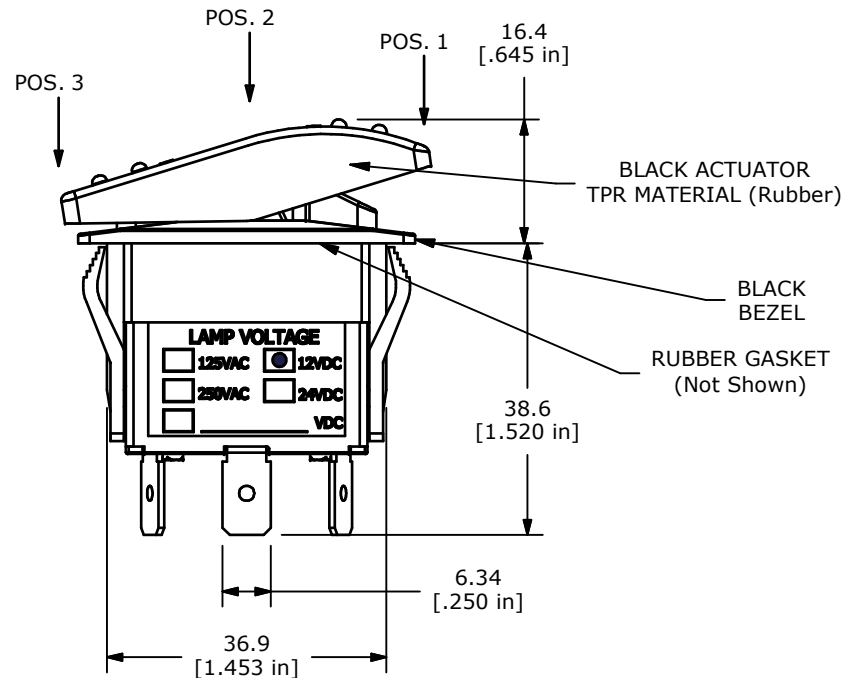
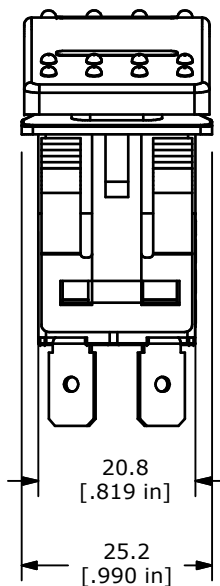
LED #2 AMBER
LENS: WHITE



CIRCUIT: DPDT
ON - OFF - ON

NOTES:

- ALL DIMENSIONS IN MM [INCH]
- GENERAL TOLERANCE: X.X=±0.4
X.XX=±0.25
- TERM. NOS. FOR REF. ONLY
- RATING: 16A @ 6-30VDC 50/60 Hz, μ T85/55
UL LISTED
- ELECTRICAL LIFE: 10,000 CYCLES
- MECHANICAL LIFE: 30,000 CYCLES
- CONTACT RESISTANCE: <20 MILLI-OHMS INITIAL
- DIELECTRIC STRENGTH: >1,500V AC 1MIN
- INSULATION RESISTANCE: >100 MOHMS @ 500VDC
- OPERATING TEMP: 0°C to 55°C
- LED VOLTAGE: 12VDC
- ▲ DENOTES CRITICAL PARAMETER.
- 2002/95/EC (ROHS) COMPLIANT



TITLE R723FB4-SXXX2B4AAW				
SCALE	DATE 1/29/2014	DR EBP	DWG C700021	REV A

A	21363	NEW RELEASE	1/29/14	EBP
REV	PCR NO	DESCRIPTION	DATE	BY
THE INFORMATION CONTAINED IN THIS DOCUMENT IS PROPRIETARY TO E-SWITCH AND IS NOT TO BE COPIED OR TRANSFERRED				